

## RTX88s

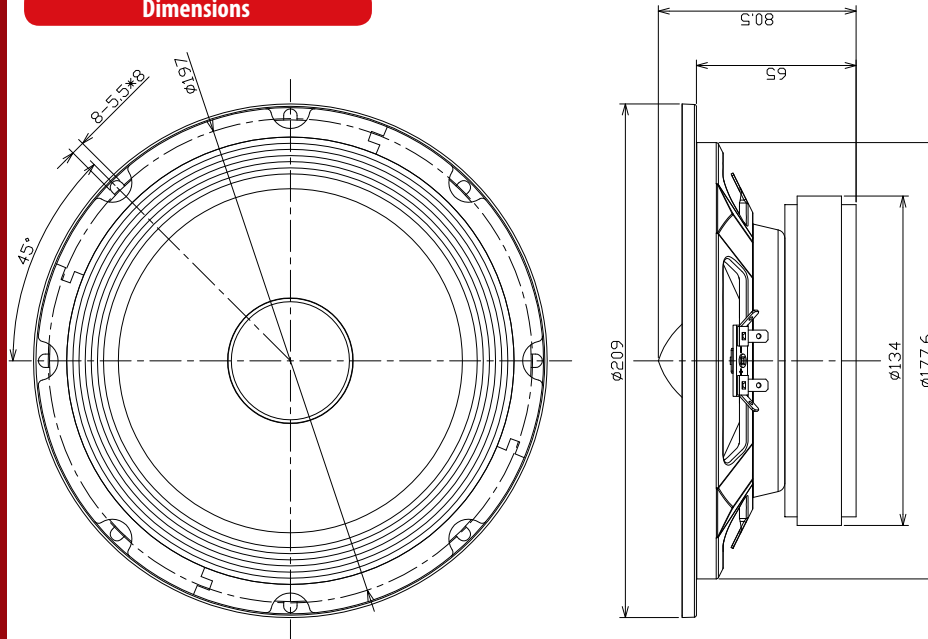
### 20cm (8") 8Ω 150W RMS High Efficiency Midrange Woofer

#### Parameters

- Re : 5,1Ω
- Cmes : 210,07μF
- Res : 117,27Ω
- Fs : 107Hz
- Mms : 18,012g
- Mmd : 14,668g
- Rms : 0,731Kg/s
- Cms : 0,121mm/N
- Kms : 8,27N/mm
- Bl : 9,260N/A
- Qms : 16,691
- Qes : 0,726
- Qts : 0,696
- Vas : 7,2711liters
- Sd : 206,12cm<sup>2</sup>
- Lnom : 98,1/2,83V/1m



#### Dimensions



Exceptional sound quality with an incredible sense of music...

38mm giant voice coil for more power handling

134mm extra large strontium magnet for a better cone control and more power handling

Compressed paper cone for more efficiency, softness and high quality sound

Treated Cloth edge suspension for a better efficiency

Highly detailed midrange Good bass response

Easy to install - Fits into the original 8" 20cm cut outs (Ø178mm)

Sold by piece - You need two RTX88s for a stereo system

Design to work fine with MTX RTX2BTs or RTX4BTs tweeters

Design to work fine with MTX TX2275 TX2450 TX480D RFL4120 amps



#### Specifications

- High efficiency midrange
- Diameter : 20cm (8")
- Max Power : 500W
- RMS Power : 150W
- Sensitivity : 98,1dB/2,83v/1m
- Impedance : 8Ω
- Freq. response : 100Hz - 6000Hz
- Mounting Depth : 65mm
- Recommended x-over : >100Hz
- Fs : 107Hz