



USER GUIDE GDVR190



Introduction

Thank you for purchasing the Gator HD Digital Video Recorder 190. This product is designed to provide high definition recording of your trips for security and evidence in the case of an incident. Being portable, this convenient and durable multi-vehicle driving recorder can be used in a variety of situations for video recording.

Product Overview

This product is a HD Digital Car driving recorder, it can record high resolution video as well as high resolution pictures, using a micro SD card as the storage device which is ultra-small, power saving, easy and convenient to carry anytime.

The DVR has a recording resolution of up to 1280x720P and it can also shoot 12 mega pixel still images. The DVR uses a Micro SD card as storage because it is compact, power-saving and easy to carry.

ATTENTION: Please charge the unit for 4 hours before installing.

Product Features:

- 120-degree high definition wide-angle lens.
- 1280 * 720P HD resolution.
- 1.5-inch 4:3 high-resolution LCD screen.
- Loop Recording
- G-Sensor Function
- Digital zoom 4X
- Do not put the DVR into damp working conditions as the DVR is not waterproof.
- Do not try opening the shell or try to repair the DVR by yourself. If there are any problems with the DVR or its accessories, please take it to an authorized repair agent for repair.
- Do not use any chemical substance, clean solvent or cleaner to clean the DVR. Please use a damp soft cloth if you would like to clean the DVR.
- Do not use the DVR under conditions where dust and density is too large, to avoid affecting the video.
- Please care for the environment, do not discard this device randomly and do not throw the DVR into a fire, as it may explode.
- Please make sure to clean the lens with a damp soft cloth before use to avoid poor video footage.

Package Components:



Gator HD DVR 190



Mounting Bracket



USB to Mini USB



Car Charger



4GB Class 6 Micro SDHC Card



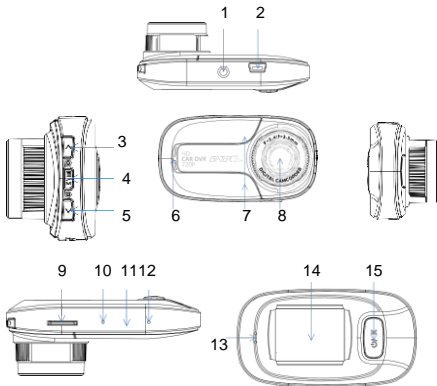
GDVR 190 User Guide



Hard Wire DVR Cable
Purchase Separately
Part number: GHWS
(Replaces Car Charger)

Optional Accessory:

Product Structure:



- | | |
|-------------------|--------------------------|
| 1) Mount Slot | 9) Micro SD Card Slot |
| 2) Mini USB Port | 10) Mic |
| 3) Up | 11) AV Port |
| 4) Menu/Mode | 12) Reset |
| 5) Down | 13) LED Indicator Lights |
| 6) Speaker | 14) LCD Screen |
| 7) Infra-Red LEDs | 15) Power/OK Button |
| 8) Lens | |

Button Instructions

Power/OK Button:

When the DVR is turned off, press it once to turn it on. While the system is on, hold down the Power/OK button to turn it off.

The Power/OK button is also used to start recording in video mode. Pressing the button again in video mode will stop the recording. In photo mode, the Power/OK button is used to take a picture. The Power/OK button is also used to select a setting in the menu.

MENU/MODE Button:

Holding down the Menu/Mode Button for 2 seconds then releasing it open the menu. Pressing and holding the Menu/Mode button again for 2 seconds and then releasing while in the menu will change to the second settings tab.

This button is also used to change between video, photo and playback modes by simply pressing the button.

Pressing the Menu/Mode button while recording will activate the file protection (A key will be present on the top of the screen if activated).

Up Button:

The up button is used while in the menu to move the highlighted area for selecting. The up button can also be used to zoom in under the standby or recording mode.

Down Button:

The down button is used while in the menu to move the highlighted area for selecting. The down button will zoom out during standby or recording mode.

AV Out:

Analogue Out that can be connected to a TV using a composite cable (Not included).

Micro SD Slot:

Where the Micro SD card is inserted (Max size is 32GB and must be CLASS 6 or higher).

USB Interface:

The USB port can be used to charge the device or be connected to a computer for data transmission.

Reset:

To hard reset the device in the case of a system jam or crash.

Power Indication Light:

When the device is turned on, a blue indicator will light up. When the device is recording, it will be flashing

blue. When the device is charging, the light will glow red.

Battery Charging Indication Light:

After connecting the DVR through USB, the indication lamp will glow red meaning it is charging. The light will automatically turn off after fully charged.

MIC:

Audio receiver for video recording.

Extra Functions

G-sensor Function:

The G-sensor function activates in the case of a car accident by determining the gravitational acceleration ($1g = 9.8 \text{ meters/second}^2$). When this function activates, the DVR will save the accident footage in a non-deletable file in order to protect the footage. The G-sensor sensitivity can be adjusted to Off/2G/4G/8G in the settings menu.

SOS Function:

Press the Menu/Mode Button while recording in order to lock the currently recording video file so it is non-deletable file (A white key will be present if activated).

Ignition Auto Power On/Off:

Once power is connected to the device, like when you start up your car, the DVR will automatically turn on and start recording. When the power is disconnected,

or car is turned off, the DVR will automatically save the file and shutdown.

Basic Instructions for Video and Photo Operation

Powering on and off the device:

To turn on the DVR press the Power/OK key once, the red indication lamp will be light up if it is connected to a power source. To turn it off, hold down the Power/OK button and the device will turn off.

WARNING: The device will automatically turn off once the battery hits critically low levels.

Video Mode

Press Menu/Mode button to switch to video mode if not already. To start recording in video mode press the OK/Power button to start the recording. You know it is recording by the red circle indicator on the top left corner of the LCD. To stop the recording, simply press the Power/OK button again.



Photo Mode

Press Menu/Mode button to switch to photo mode.

There is a camera icon at the top left corner of the LCD to signify you are on photo mode. To take a photo, press the Power/OK button. The screen will flash and make a camera sound when a picture is taken.

Holding down the Menu/Mode Button for 2 seconds then releasing it, will open the settings in photo mode and will allow you to adjust the photo resolution, image quality and other photo settings.



Video/Photo Playback

Press Menu/Mode button to switch to playback mode after photo mode. Using the arrow buttons, you can choose between all your recorded videos or photos. The protected files have a lock icon meaning they cannot be deleted until unlocked. Press the Power/OK button to select a file for playback. Holding down the Menu/Mode Button for 2 seconds then releasing it, will give you the option to delete the file or unlock the file.

Simply press the Menu/Mode button to return to video mode.

Menu Settings

Hold down the Menu/Mode button for 2 seconds and then release it to get into the menu settings. You can navigate the settings menu by using the Up/Down buttons. To change or edit a selected setting, press the Power/OK button.

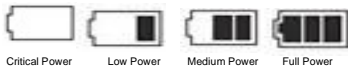
Hold down the Menu/Mode button for 2 seconds and then release it to get into the second tab. Do this again to get out of the settings menu

USB Mode

When connecting a USB cable with a PC, the DVR will present two options. 'Mass Storage' allows you to transfer your videos and photos to your PC. The 'PC Camera' option allows you to use your DVR as a webcam for your computer.

Battery Instructions

Please see below illustration for battery the capacity indications.



When the DVR is charging, a red indicator on the DVR glows red. The DVR takes about 3 hours to fully charge. When the DVR hits full charge, the red indicator will turn off.

The DVR can be charged multiple ways:

1. Using the provided micro USB cable to connect to a USB interface for charging.
2. Using the provided car charger

Menu setting features explained

Resolution: The recommended resolution should be set at '720P 1280x720' in order to get the best quality footage.

Loop Recording: This feature allows you to set the size of the files your DVR will record before saving and creating a new file. We recommend the DVR to be set to '3' minute files.

Exposure: This feature will change the white input. We recommend it always be set at '+0.0'.

Record Audio: This Feature will allow you to turn the DVRs recording sound on or off. If you want to stop the DVR recording sound in the cab of your vehicle, set this feature to 'off'.

Date Stamp: This feature will stamp the date and time on all your footage produced by your DVR.

G Sensor: This feature allows you to set the sensitivity of the Gravity sensor in the DVR. We recommend this be set to '4G to help stop false or irrelevant readings.

Parking Guard: When enabled, the DVR will automatically turn on and start recording when it detects a crash against the car. This is mainly used when the car is parked and someone else hits your vehicle. A 'P' icon on the right of the screen signifies it is turned on.

Hold down the Menu/Mode button for 2 seconds and then release it again until you see the spanner and screwdriver icon highlighted up the top. **(SETUP MENU)**

Date/Time: This feature will allow you to change the year, month, day and time. To change the date simply use the arrow keys to go up or down. Press the Power/OK button to move onto the next section. Again, use the arrow buttons to go up or down. Once through all the sections, hold down the Menu/Mode button for 2 seconds and then release it to finish the setup and return to recording mode.

Beep Sound: Allows you to turn the beeping sound on or off.

Language: Allows you to choose from a selection of languages that include: English, Finnish (FIN), Swedish (SWE), Estonian (EST), Russian, Dutch, Italian, French, Simplified Chinese, Portuguese, Turkish, Polish and Korean.

TV Mode: We recommend this be set to 'PAL' as PAL is the Australian standard line frequency and will work on any TV when playing back your footage on TV via a AV cable.

Frequency: This feature allows the best recording in conditions where street lights and ac lighting is used. The Australian standard frequency is 50HZ so it should be set to '50hz'.

Screen Saver: This feature will turn your LCD off after 1, 3 or 5 minutes but will continue to record regardless. This feature is useful for night driving as having the LCD on could be a distraction.

Lamp Setting: You can turn the IR LED 'on', 'off' or 'Auto'. 'Auto' automatically turns on when the DVR detects it is dark.

Format: This feature allows you to format/delete all the files off your micro SD card and also reinstalls your DCIM directory and DVR software on your SD card so the micro SD card can operate with your DVR free of errors.

Default Setting: This feature will reset all your settings and return your DVR to the factory standard settings.

Version Info: This simply shows the firmware/software employed by the DVRs hardware

Product Specification

Product Feature	HD Camera, HD Recording
G-sensor	Built-in(Used to save the file in case of an emergency, and cannot be deleted if the collision of vehicles happen)
LCD Size	1.5" TFT LCD
Lens	120 Degree Wide Angle
Language	English/Finnish (FIN)/Swedish (SWE)/Estonian (EST)/Russian/Dutch/Italian/French/Simplified Chinese/Portuguese/Turkish/Polish/Korean.
Video Format	AVI

Video Resolution	720P 1280x720, WVGA 846x480, VGA 640x240, QVGA 320x240
Video Codec.	Audio: AAC
Loop Recording	Recording with seamless
Auto ignition turn on/off while car power on/off	Supports turn on while car starts and turn off while car turns off.
Year/Month/Day/Hour/Minute	Supported
Still images	Photo resolution: 12MP
Photo Format	JPEG
Memory Card	Class 6 and above Micro SD HC (up to 32GB Max)
MIC	Supported
Built-in Speaker	Supported
TV Output	PAL/NTSC
Frequency	50HZ/60HZ
USB Function	1. Mass Storage 2. PC Camera
Power Interface	5V 1.0A
Battery	150mAH built-in battery

Frequently Asked Questions

Under normal operating conditions, if there are problems with the device, please refer to the following methods to resolve.

Cannot take pictures or record video?

Please check whether there is enough space on the micro SD card or internal storage.

Stopping automatically while recording

Due to the high amount of HD video data being recorded, please use a high speed micro SD card. To tell if you have the required high speed card, check if it has the 'Micro SDHC' logo on the SD card and the C4, C6 or C10 somewhere on the card. This DVR only supports Class 6 and above. Make sure that your card is labelled Micro SDHC and not Micro SDXC as SDXC cards will not work with this DVR.



Fuzzy/dirty image

Please check if the lens is filled with dirt or fingerprints and clean carefully. Please clean lens with cloth before shooting.

Horizontal stripes interference in the image

This is due to the wrong setting of light frequency error, please set the frequency to 50HZ as it is the Australian standard frequency.

The DVR is jammed or not responding

Please reset the device by pushing in the reset button on the underside of the DVR.

Why does battery go flat in the DVR?

The DVR's battery must be frequently charged once a week if the car is not in use.

Why does the time and date reset?

The time resets when the DVR's battery is flat. Make sure the DVR is always charged in order to keep date and time.

Why is the battery not charging in the car?

Please check and make sure that there is power in the cigarette lighter socket of your car.

Micro SD card not recognised by DVR

Format card in the DVR's menu setting's before use.

A coloured tinge showing up in the video?

Make sure to peel off the transparent protective sticker on the front of the DVR's lens.

Infringement of copyright warning

Please note that this product is for personal use only, the method of use shall not violate the goods infringe on domestic or international copyright laws. Even recorded images for personal use only,

please note that in some cases to use this product to record performances, exhibitions or business activities of the images may infringe the copyright or other legal rights and interests of others.

Technical Assistance



If you need assistance setting up or using your Gator product now or in the future, call Gator Support.

Australia

TEL: 03 – 8587 8898

FAX: 03 – 8587 8866

Mon-Fri 9am – 5pm AEST

Please retain this user guide for future reference.

