



**GATOR**



**4K**

**G4K DVR20**

**4K ULTRA HD DASH CAM**  
**+ WIFI / GPS TRACKING**

# OWNER'S MANUAL

Note: This manual is considered correct at time of printing but is subject to change.  
For latest manuals and updates refer to the website.

[www.gatordriverassist.com](http://www.gatordriverassist.com)

## Introduction

Thank you for purchasing the Gator G4KDVR20 4K UHD Dash Cam. This product is a convenient and durable traveling video and data recorder. Please ensure that you have read the product manual and instructions in full, prior to installation and use. Failure to do so may result in product failure/damage or incorrect operation and therefore impact the product performance.

**ATTENTION:** The Dash Cam must be connected to power when in use. The super capacitor only holds date and time settings. The Dash Cam has no internal battery.

## Product features

- Video resolution 4K UHD 2160P with WDR
- 2.7" High-resolution LCD touch screen
- 160 Degree wide angle lens
- WiFi & GPS tracking via App
- Rear camera input (Optional camera G4K20RC sold separately)
- 2 Channel compatible (Max res 1440P Front x 720P Rear)
- Super capacitor
- G-Sensor function
- Parking monitor (Optional cable G4K20HWK sold separately)
- Seamless cycle loop recording
- Adhesive surface mount
- 16GB Micro SD card included
- Supports Micro SD card class10 up to 128GB
- 12/24V DC car adapter

## Table of contents

Introduction.....	2
Product features.....	2
Table of contents.....	3
Package components.....	4
Product structure.....	5
Installation of Dash Cam.....	7
Fixing the Dash Cam.....	8
Hard wiring kit.....	9
Video mode screen.....	10
Video mode icons.....	11
Video mode settings.....	12
System settings.....	13
Pairing the Dash Cam to a Smartphone.....	14
Dash Cam interface screen.....	15
Dash Cam video and photo gallery screen.....	16
Video mode settings screen.....	17
Photo mode settings screen.....	18
Connecting to a computer.....	19
GPS tracking instructions.....	19
G-sensor sensitivity.....	20
Formatting SD card.....	20
Infringement of copyright warning.....	20
Product specifications.....	21
Troubleshooting guide.....	22
Safety information.....	23
Technical assistance.....	24

**Package components**



G4KDVR20  
Dash Cam

Adhesive  
Mounting Bracket

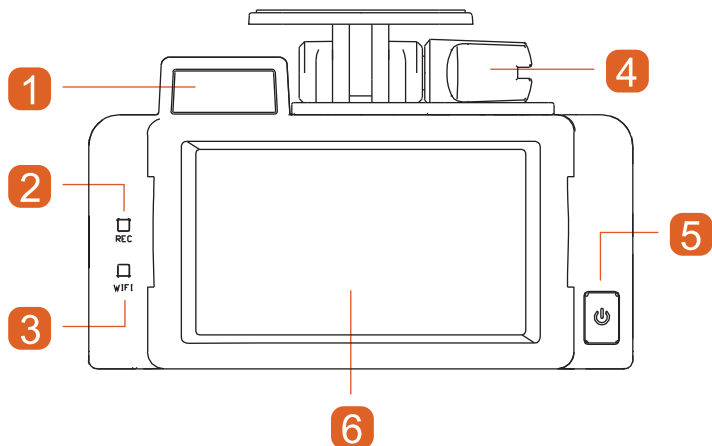


12/24V charging adapter

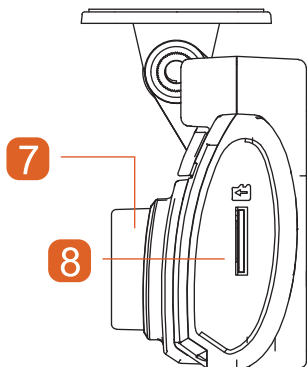


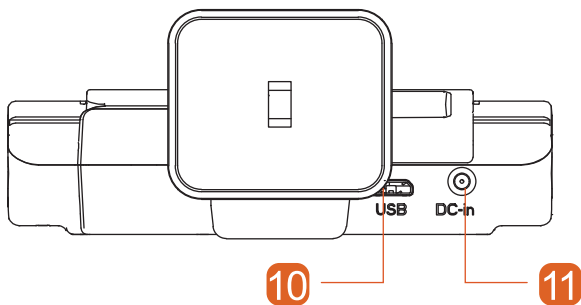
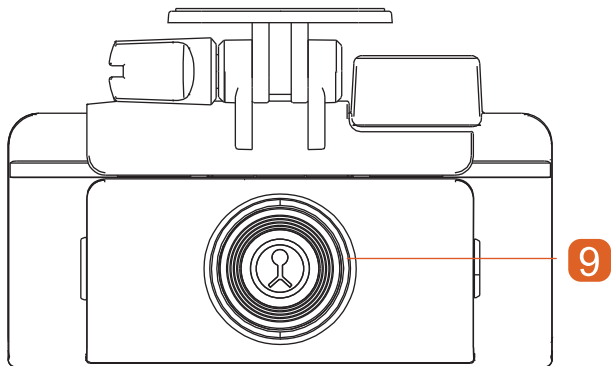
16 GB Micro SD Card

## Product structure



- 1) GPS
- 2) Recording Indicator
- 3) WiFi Indicator
- 4) Dash Cam mount
- 5) Power button
- 6) Touch screen



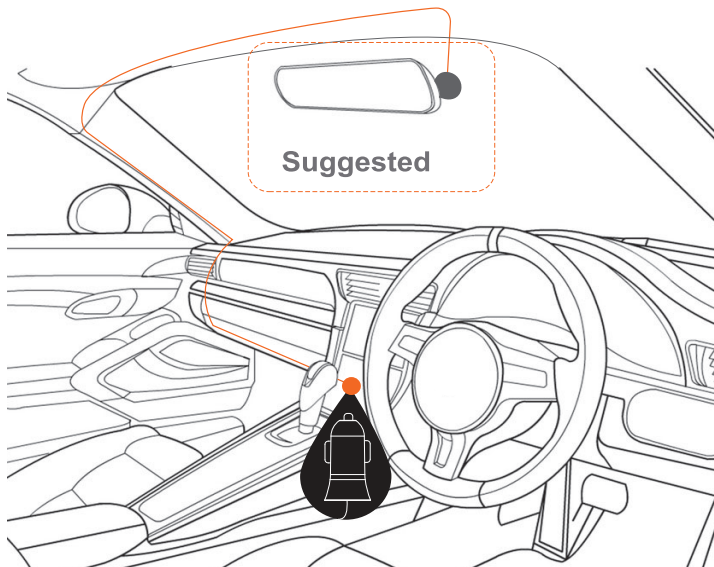
**Product structure**

- 9) Camera Lens
- 10) Rear camera input
- 11) DC-in interface

## Installation of the Dash Cam

1. Check the mounting position of the Dash Cam camera first before installation.
2. Ensure windscreen is clean and free of debris. Use an Alcohol wipe to enhance adhesion.
3. Place mounting bracket on Dash Cam after checking Dash Cam position. Remove backing off 3M tape and press & hold firmly to windscreen for 60 seconds.
4. Fix where the vision is not blocked (Place close to rear-view mirror is recommended). Do not install the device on airbag or within its working range.
5. Insert Micro SD card into the Dash Cam
6. Insert power cable into the DC-in of the Dash Cam. Connect the DC charging end of the power cable into the 12V power socket of your vehicle.
7. Adjust the camera angle to get the best view. Ensure 1/4 of the vehicles bonnet is visible from the bottom of the screen for alignment.
8. Turn vehicles ignition on, and the Dash Cam and it will automatically start recording.
9. When recording the recording indicator LED will flash red.
10. For the Dash Cam to work it must receive power from the charging adapter. Once power is removed or turned off the Dash Cam will save the current file and turn off.

## Fixing the Dash Cam





## Hard wiring kit G4K20HWK (Sold separately)

This can be purchased separately from your retailer to hard wire your Dash Cam to your vehicle.

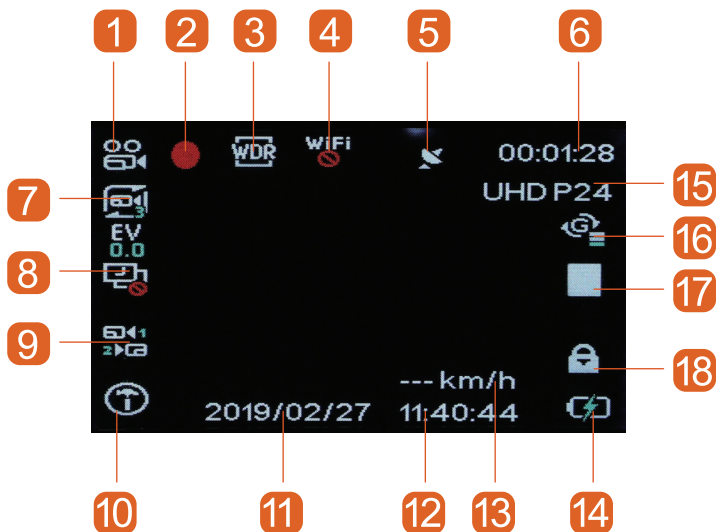


**NOTE:** When installing the hardwire kit, RED wire to ACC, YELLOW wire to constant 12V and BLACK wire to earth. With Automatic parking monitor turned on in the settings. Once the car is switched off after 30 seconds the display will turn off but will continuously loop record. The hard wire kit has voltage protection and when the vehicles battery is at 11.6V the Dash Cam will turn off and stop recording. The hard wire modual protects the vehicles battery from going flat.

## Video mode screen

There is a video camera icon at the top left corner of the LCD to signify you are on video mode. The recording indicator will start flashing RED. A red circle will also flash on the screen and a timer will appear when recording has started.

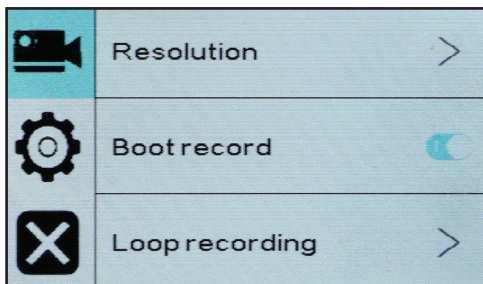
To stop and start recording, simply press the stop/start recording icon on the touch screen. When recording press the lock icon to lock the recorded video. A key symbol will appear when activated.



## Video mode icons

- 1) Video mode
- 2) Recording Indicator flashes when active
- 3) WDR icon
- 4) Wifi icon
- 5) GPS icon
- 6) Recording timer
- 7) Loop recording time
- 8) Time lapse video icon
- 9) Switch between front, rear & PIP camera view
- 10) Video mode settings icon touch screen button
- 11) Date
- 12) Time
- 13) Speed measurement
- 14) Power icon
- 15) Resolution
- 16) G-Sensor icon
- 17) Stop/start recording icon touch screen button
- 18) Lock file icon touch screen button

Press the Video mode settings icon on the touch screen to enter into and change video settings. See screen display below.



## Video mode settings

Press video camera icon to enter video settings. Select function and select settings to make changes. Press arrow icon to exit the function. Press X icon to exit the settings.

Function	Description
Resolution	Select from: UHD P24 / QHD P30 / FHD P60 / FHD P30 / 1440P+720P
Boot record	On/off
Loop Recording	Off/3 Min/5 Min/10 Min
WDR	Wide Dynamic Recording, enable this feature to improve video quality.
Exposure	+2.0,+5/3,+4/3,+1.0,+2/3;+1/3;+0.0; -1/3;-2/3,-1.0,-4/3,-5/3,-2.0
Record Audio	Record sound with video: On/Off
G-sensor	Set the sensitivity of collision sensor: Off/Low/Medium/High
Date Stamp	When enabled, video will have a date stamp
Parking monitor	On/off

## System settings

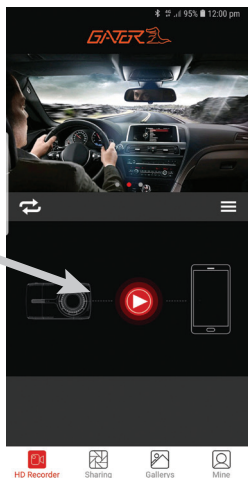
Press wheel icon to enter video settings. Select function and select settings to make changes. Press arrow icon to exit the function. Press X icon to exit the settings.

Function	Description
Time Zone	GMT+0.00 TO GMT+12.00
Language	English / Français / Español / Deutsch Português / Italiano / Chinese
Date/Time	Set system Date/Time
Plate Number	support
Beep Sound	Make a beep sound when pressing any button: Off / On
Frequency	50 Hz / 60 Hz
WIFI	On/Off
OSD display	On/Off
Screen Save	Off / 3 Minute / 5 Minute/ 10 Minute
Format	Format TF card on Dash Cam
Default setting	Restore default settings
Version	System Version

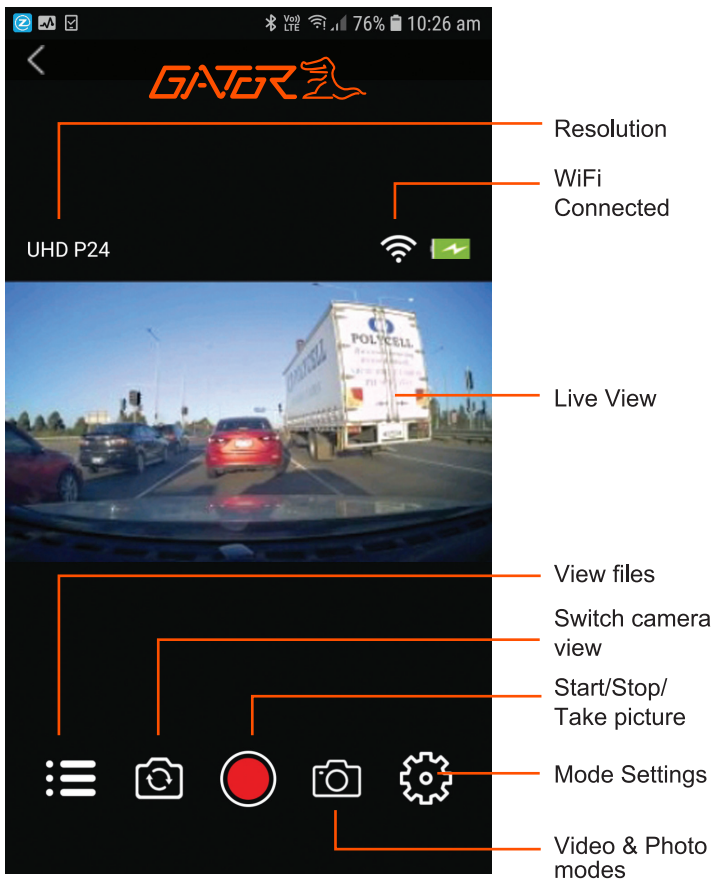
## Pairing the Dash Cam to a Smartphone

Settings, recording video and taking photos can all be done via WiFi and downloading the 'GATOR G4KDVR20' APP. For iPhones search the APP Store or for Android devices via Google Play. To pair the Dash Cam with your smartphone, go into the settings menu on your Dash Cam and turn Wifi on. Then go to your WiFi settings on your smartphone, turn WiFi on and it should display all devices for connection. Select your Dash Cam model (G4KDVR20). Enter the password 12345678. Once paired to your DASH CAM then launch the 'GATOR G4KDVR20' Dash Cam APP to access functions. Once connection is successful, the WiFi indicator on your Dash Cam turns blue. Enter the APP to update the current time and date in the APP for GPS location and recordings.

Press to access settings, view video, view and take photos or download data to your smartphone.



## Dash Cam interface screen



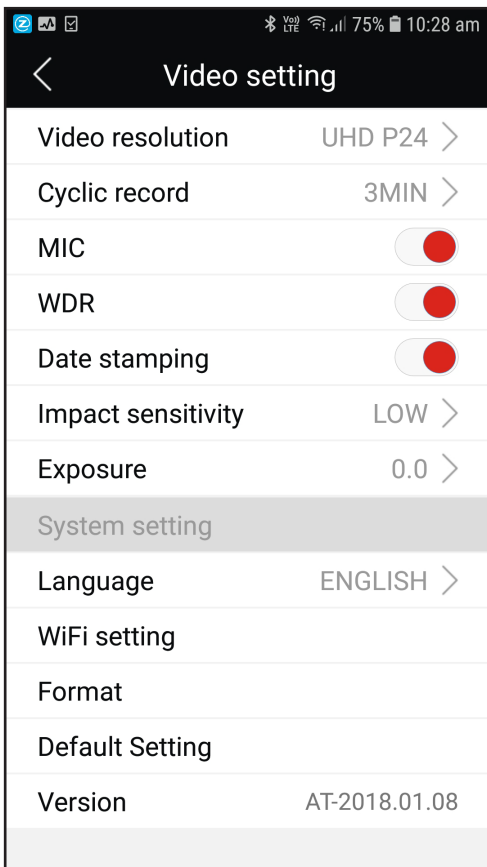
## Dash Cam video and photo gallery screen



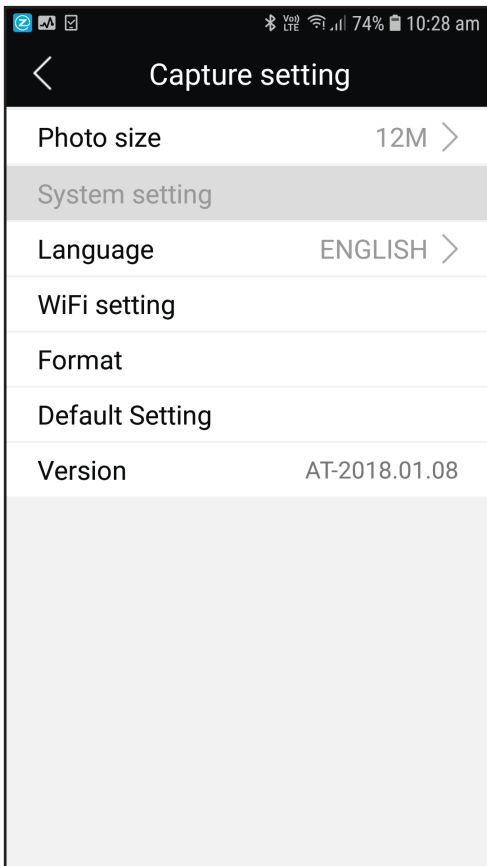
View, videos/photos taken on the Dash Cam to your phone. Press select button to download or delete. Alternatively you can also remove the SD card from the Dash Cam and plug the card directly into your computer to access files. When viewing files in 4K make sure the computers graphics card is able to display high resolution graphics.



## Video mode settings screen



## Photo mode settings screen

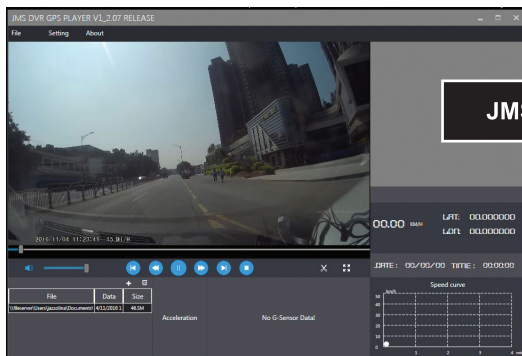


## Connecting to a computer

You can remove the SD card from the Dash Cam and plug the card directly into your computer to access files. With the SD card inserted, and when connected to a computer. Three options will be available; Mass Storage , PC Camera and Video. Mass Storage allows the SD card to be accessed via computer as an external storage. PC Camera function allows the Dash cam to be used as a PC Camera. Video allows the Dash Cam to function normally while charging via the computer.

## GPS tracking instructions

The GPS data is automatically saved to the video files. In order to see the GPS data, you will need to download the video from the Dash Cam to your computer and view it through the free downloadable software (JMS GPSPlayer) from our website. Go to [www.gatordriverassist.com](http://www.gatordriverassist.com) and search for the model G4KDVR20. This software is only for PC platforms.



## G-sensor sensitivity

This function activates in the case of a car accident by determining the gravitational acceleration ( $1g = 9.8$  meters/second<sup>2</sup>). When this function activates the Dash Cam will automatically sync a 10 second video clip and save it to the Event folder on the SD card. We recommend Low Sensitivity to avoid false triggers.

**Note:** With this function turned on it may fill up the SD card with locked video files. Re-format the SD card to create space. The device does NOT guarantee video recording of all accidents as built-in impact sensor may not be activated due to combination of user settings and the level of impact during the collision.

## Formatting SD card

It is advisable to format the SD card when you first use the Dash Cam and also regularly if you have the setting G-sensor function on or create Locked files. This will fill up the card causing it to stop recording any footage. 64-128GB Micro SD cards need to be formatted in the Dash Cam to be recognised.

## Infringement of copyright warning

Please note that this product is for personal use only, the method of use shall not violate the goods, or infringe on domestic or international copyright laws. Recorded images are for personal use only, please note that in some cases to use this product to record performances, exhibitions or business activities may infringe the copyright or other legal rights and interests of others.

## Product specifications

Display	2.7" High-resolution LCD touch screen
Color	Black
Video	MP4
Resolution	4K UHD 2160P @ 24fps
DSP	NOVATEK 96660
WiFi & GPS	In built, tracking via App
Picture format	JPG
Picture	12M
Viewing Angle	160 Degree wide angle lens
Functions	WDR, G-Sensor, Loop recording
OSD Language	Multiple
Audio	Built-in Microphone and speaker
Storage	Micro SD card (16GB inc) 128GB Class 10 Max
Rear camera	Supports G4K20RC model
Battery	Super Capacitor
Car charger	DC input: 12 or 24V, output: 5V
Dimension	55*97*32mm (H*W*D)
Accessories	Adhesive window mount, Car charger

## Troubleshooting guide

If there are problems with the device, please refer to the following methods to resolve.

Cannot take pictures or record video?

Please check whether there is enough space on the micro SD card or internal storage.



Stopping automatically while recording?

Due to the high amount of HD video data being recorded, please use a high-speed Micro SD card. To tell if you have the required high speed card, check if it has the 'Micro SDHC' logo on the SD card and 16GB class 10 or above is recommended. Make sure that your card is labeled Micro SDHC and not Micro SDXC as SDXC cards will not work with this Dash Cam.

Fuzzy/dirty image?

Please check if the lens is filled with dirt or fingerprints and clean carefully. Please clean the lens with cloth before shooting. Make sure to peel off the transparent protective sticker on the front of the Dash Cam's lens.

The DASH CAM is jammed or not responding?

Please reset the device in system settings

Micro SD card not recognised by DASH CAM?

Format card in the Dash Cam's menu setting's before use.

**Note:** To alleviate card problems make sure the SD Card used is a quality brand from a reputable source.

## Safety information & warnings

- Do not use the Dash Cam in damp working conditions; the Dash Cam is not waterproof.
- Do not try opening the shell or trying to repair the Dash Cam by yourself. If the accessories for the Dash Cam have any problems, please take it to an authorised repair agent for repair.
- Do not use a chemical substance, cleaning solvent or cleaner to clean the Dash Cam, please use a moist soft cloth if you would like to clean the Dash Cam.
- Do not use the Dash Cam under conditions where dust is present.
- Please pay attention to cleaning the lens surface, use a moist soft cloth to clean the lens before use, to avoid poor video footage.
- Gator is NOT responsible for the loss of any recorded video during operation.
- Although designed to withstand high impact of car collision, Gator does NOT guarantee recording of accidents where the impact may cause the device to be damaged.

## Technical assistance

If you need assistance setting up or using your Gator product now or in the future, call Gator Support. Australia

TEL: 03 – 8587 8898

FAX: 03 – 8587 8866

Mon-Fri 9am – 5pm AEST

Please retain this user guide for future reference.

If you would like to download a digital copy of this manual, or other Gator manuals/software, please visit the <http://gatordriverassist.com> website and click on ‘Firmware & Manuals’ or search for the product model number for more information, accessories and products.

This manual is considered correct at time of printing but is subject to change. For latest manuals and updates refer to the website.

For PC users the GPS viewing player (JMS GPSPlayer) is also available to download from the website.

Copyright © 2017 by TDJ Australia

All rights reserved. No part of this publication may be reproduced, distributed, or transmitted in any form or by any means, including photocopying, recording, copying or other electronic or mechanical methods, without the prior written permission of the author.