

CAM-WL1



## IP69K Waterproof 2.4GHz Wireless Commercial Camera with Night Vision

### User Manual



EchoMaster.com  
EchoMaster is a Power Brand of AAMP Global



15500 Lightwave Drive, Suite 202  
Clearwater, Florida 38760  
email - support@aampglobal.com (US)  
email - technical.eu@aampglobal.com (Europe)



## Introduction

Thank you for purchasing your EchoMaster automotive camera.

EchoMaster cameras are designed to improve safety during driving by providing high quality images of surrounding areas and obstacles in the vicinity of the vehicle. They will also improve vehicle manoeuvring capability by displaying blind spots not normally visible to the driver.

Please ensure you read and understand all aspects of this manual before fitting or using your EchoMaster Camera. Choose a suitable mounting place dependent on the application. Ensure that there are no wiring harnesses or hoses/pipes located behind this panel before drilling.

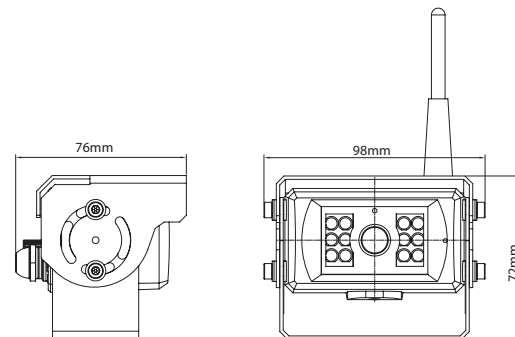
## Key Features

- ▶ 1/3" CMOS Sensor
- ▶ Operates at 0 LUX
- ▶ 12 IR LEDs
- ▶ IP69K Rated
- ▶ 120 Degree Viewing Angle

## Box Contents

- ▶ Camera
- ▶ Bracket
- ▶ Manual
- ▶ Power Harness
- ▶ Allen Key

## Dimensions



## Specifications

	CAM-WL1-P   CAM-WL1-N
<b>Sensor</b>	1/3" CMOS
<b>LEDS</b>	12
<b>Illumination</b>	0 LUX
<b>Viewing Angle</b>	120 degrees
<b>Mirror Image</b>	No
<b>Normal Image</b>	Yes
<b>Water/Debris-Proof</b>	IP69K
<b>Audio</b>	Yes
<b>Power Supply</b>	12V DC
<b>Current</b>	<250mA
<b>Working Temperature</b>	-20°C - +70°C
<b>Dimensions (mm)</b>	D (76) x W (98) x H (72)
<b>TV Lines</b>	420
<b>Resolution (HxV)</b>	728 x 488

## Wiring Diagram

