

CAM-01



IP68 Waterproof Universal Mount Camera User Manual



EchoMaster.com

EchoMaster is a Power Brand of AAMP Global



email - technical.eu@aampglobal.com (Europe)
email - support@aampglobal.com (US)

15500 Lightwave Drive, Suite 202
Clearwater, Florida 38760



Introduction

Thank you for purchasing your EchoMaster automotive camera.

The following part numbers are supported:

- ▶ CAM-01-N
- ▶ CAM-01-P

EchoMaster cameras are designed to improve safety during driving by providing high quality images of surrounding areas and obstacles in the vicinity of the vehicle. They will also improve vehicle maneuvering capability by displaying blind spots not normally visible to the driver.

Please ensure you read and understand all aspects of this manual before fitting or using your EchoMaster Camera. Choose a suitable mounting place dependent on the application. Ensure that there are no wiring harnesses or hoses/pipes located behind this panel before drilling.

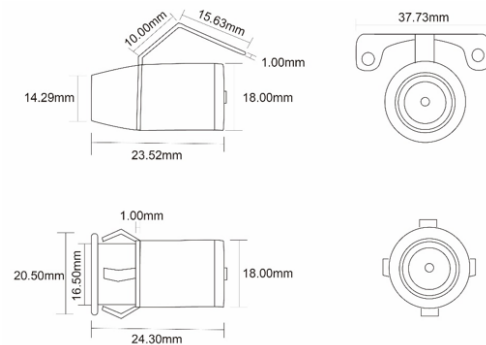
Key Features

- ▶ 1/4" CMOS Sensor
- ▶ Operates at 0.3 LUX
- ▶ IP68 Rated
- ▶ 170 Degree Viewing Angle
- ▶ Selectable Image (mirrored, non-mirrored)
- ▶ Tri-Colored Parking Lines

Box Contents

- ▶ Camera
- ▶ Bracket
- ▶ Manual
- ▶ Self-Adhesive Tape
- ▶ Mounting Hardware
- ▶ Hole Saw

Dimensions



Specifications

	CAM-01-P CAM-01-N	
Sensor	1/4" CMOS	
LEDs	0	
Illumination	0.3 LUX	
Viewing Angle	170 degrees	
Mirror Image	YES	
Normal Image	YES	
Water/Debris-Proof	IP68	
Audio	NO	
Power Supply	12V DC	
Current	<250mA	
Working Temperature	-25°C - +65°C	
Dimensions (mm)	D (18) x W (14) x H (28)	
System	NTSC	PAL
TV Lines	480	480
Resolution (HxV)	720 x 480	720 x 576

Wiring Diagram & Pin Out

