



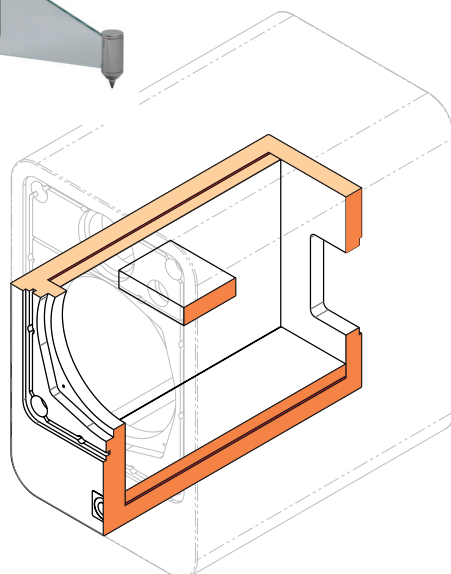
NEW



**What Hi-Fi?
Sound & Vision Advert**

The Concept 20

Once in a while, a product comes along that 'redefines the meaning of excellence'. That time is now. Q Acoustics is proud to introduce the new Concept 20 Loudspeaker.



The Concept 20 loudspeaker cabinet incorporates 'Gelcore Construction'[™]. In effect a 'cabinet within a cabinet', with a special resonance-cancelling compound adhering between the inner and outer shells. This cabinet is both rigid and exhibits extremely low resonance. The latter is achieved through the resonance-cancelling compound absorbing the kinetic energy (movement) generated within the cabinet by the drive units, then dispersing it by converting it into heat.

Q Acoustics Concept 20 Specifications:

| | |
|----------------------|-----------------|
| Enclosure type: | 2-way reflex |
| Bass Unit: | 125mm |
| Treble Unit: | 25mm |
| Frequency Response: | 64Hz - 22kHz |
| Nominal Impedance: | 6Ω |
| Minimum Impedance: | 4Ω |
| Sensitivity: | 88dB |
| Recommended Power: | 25 - 75w |
| Crossover Frequency: | 2.9kHz |
| Dimensions H/D/W mm: | 260 x 280 x 170 |
| Weight: | 5.6kg |

- QA2620Q CONCEPT 20 SPEAKER BLACK (PAIR)
- QA2120 Q CONCEPT 20 STAND BLACK (PAIR)
- QA2625Q CONCEPT 20 SPEAKER WHITE (PAIR)
- QA2125 Q CONCEPT 20 STAND WHITE (PAIR)

armourHOME