



**27-314**

**RL-LR15-TF**

**Rear-view camera-input  
and  
video-in-motion  
compatible with Land Rover  
touch-screen navigation system  
version 4 from model 2015**

**Only for vehicles WITHOUT factory rear-view camera**

## Contents

### 1. Prior to installation

- 1.1. Delivery contents
- 1.2. Check compatibility of vehicle and accessories
- 1.3. Setting the Dip-switches of the CAN-Box TV-400/500
- 1.4. Pin-assignments

### 2. Connection schema

### 3. Installation

- 3.1. Interconnecting CAN-box, harness and factory navigation monitor
- 3.2. Connection to rear-view camera

### 4. Activation of the video-in-motion function

### 5. Specifications

### 6. Technical support

## Legal Information

By law, watching moving pictures while driving is prohibited, the driver must not be distracted. We do not accept any liability for material damage or personal injury resulting, directly or indirectly, from installation or operation of this product. This product should only be used while standing or to display fixed menus or rear-view-camera video when the vehicle is moving, for example the MP3 menu for DVD upgrades.

Changes/updates of the vehicle's software can cause malfunctions of the interface. We offer free software-updates for our interfaces for one year after purchase. To receive a free update, the interface must be sent in at own cost. Labor cost for and other expenses involved with the software-updates will not be refunded.

# 1. Prior to installation

Read the manual prior to installation. Technical knowledge is necessary for installation. The place of installation must be free of moisture and away from heat sources.

## 1.1. Delivery contents

*Take down the SW-version and HW-version of the interface boxes, and store this manual for support purposes.*

**CAN-box TV-500**  
HW \_\_\_\_\_ SW \_\_\_\_\_

**Adapter CAB-LR15-R**

**Harness TV-LR05**

## 1.2. Check compatibility of vehicle and accessories

**Requirements**

*Vehicle* Land Rover vehicles **from year 2015**

*Navigation* Touch-screen navigation version 4

**Version I**                      **Version II**                      **Version III**                      **Version IV**

**Limitations**

*After-market rear-view camera* Only compatible with NTSC-cameras.

### 1.3. Setting the dip switches of the CAN-box TV-500

| Vehicle/ navigation        | Dip 1 | Dip 2 | Dip 3 | Dip 4 | Dip 5 | Dip 6 |
|----------------------------|-------|-------|-------|-------|-------|-------|
| Video-in-motion permanent  | ON    | ON    | OFF   | OFF   | ON    | ON    |
| Video-in-motion selective* | OFF   | ON    | OFF   | OFF   | ON    | ON    |

\* With dip1 to OFF the included green cable is used to activate the video-in-motion function

**Note:** Dip switch functions of the TV-500

Dip 1 – activation TV-free

Dip 2 – rear-view camera existing

Dip 3 – no function

Dip 4 – no function

Dip 5 – CAN-bus termination resistor on the vehicle side

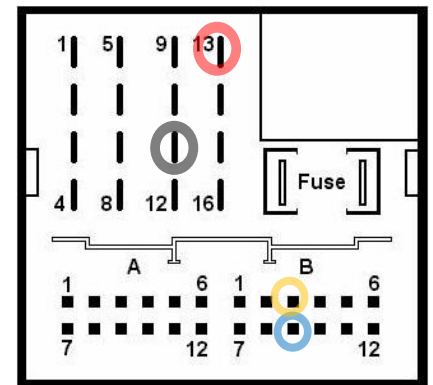
Dip 6 – CAN-bus termination resistor on the head-unit side

Setting dip 2 to ON codes the factory rear-view camera input which is located on the blue double Fakra male connector of the head unit. When reverse gear is engaged, the navigation will automatically switch to this input.

## 1.4. Pin-assignments

### Pin assignment quadlock connector

| Function       | Pin-No.           |
|----------------|-------------------|
| CAN-HIGH       | Pin 3 (chamber B) |
| CAN-LOW        | Pin 9 (chamber B) |
| +12V permanent | Pin 13            |
| Ground         | Pin 11            |

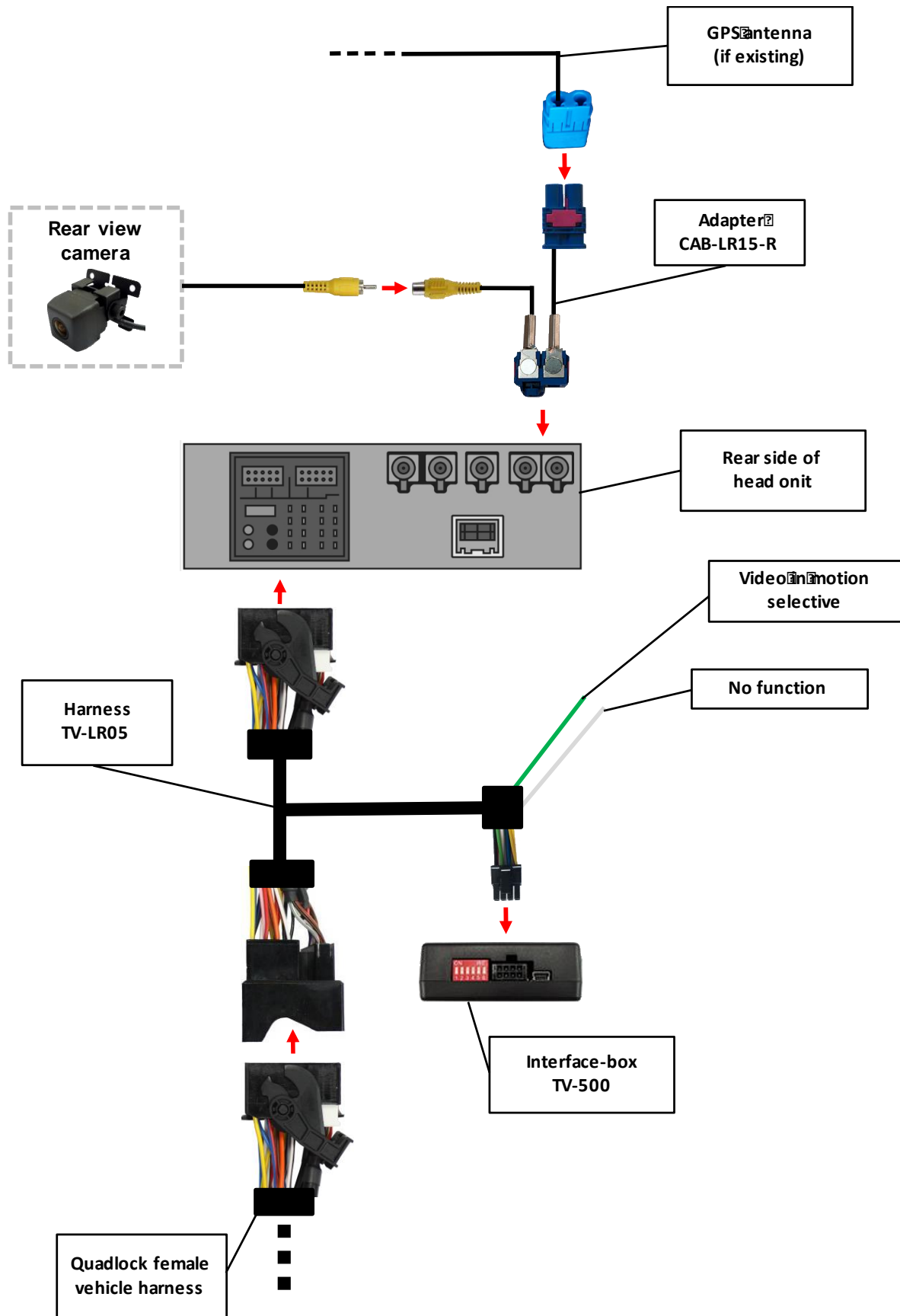


**No liability for vehicle wire colors and pin definition! Possible changes by the vehicle manufacturer. The given information must be verified by the installer.**

### Pin-assignment of the CAN-Box TV-500 (Molex 8pin)

| Cable colour    | Pin-No. | Assignment   |
|-----------------|---------|--|
| ● Yellow        | Pin 4   | CAN-HIGH – connection to the head-unit                                   |
| ● Blue          | Pin 3   | CAN-LOW – connection to the head-unit                                    |
| ●● Yellow/Black | Pin 8   | CAN-HIGH – connection to the vehicle                                     |
| ●● Blue/Black   | Pin 7   | CAN-LOW – connection to the vehicle                                      |
| ● Red           | Pin 1   | +12V permanent   |
| ● Black         | Pin 5   | Ground   |
| ● Green         | Pin 6   | Activation of the video-in-motion function<br>(+12V = TV-free activated) |
| ● White         | Pin 2   | No function  |

## 2. Connection schema

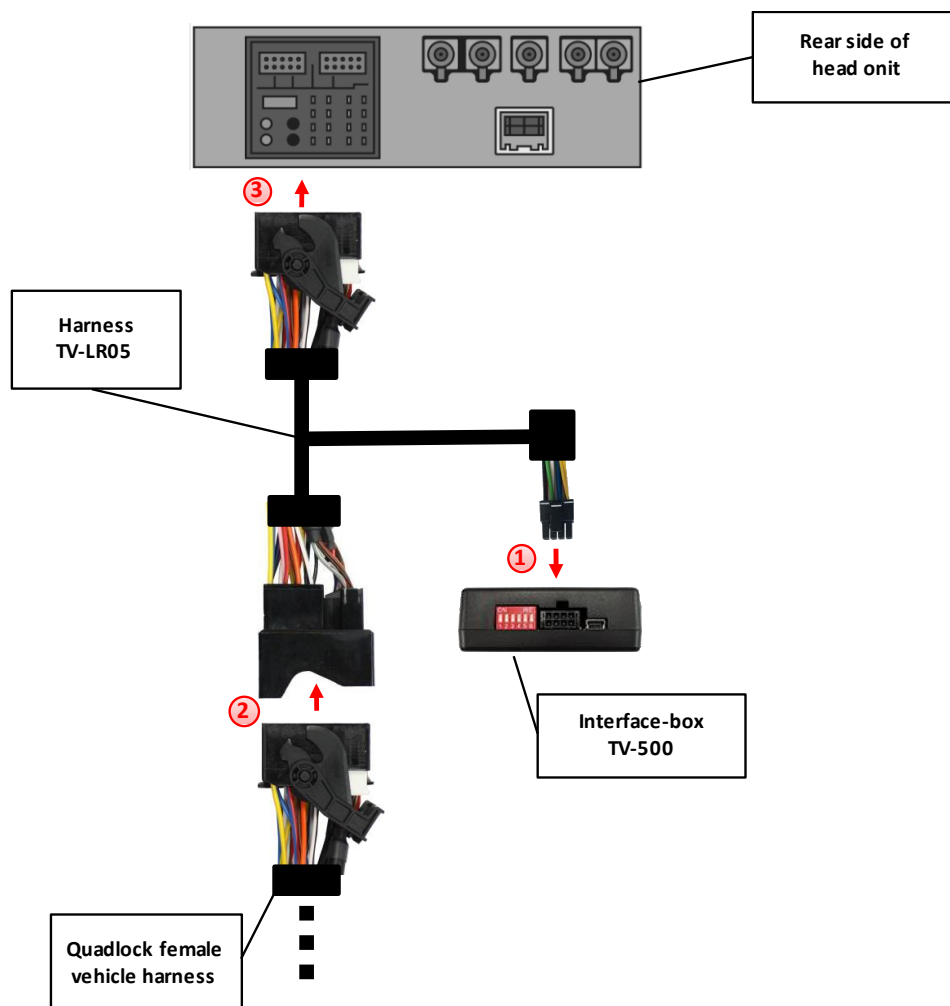


### 3. Installation

**Switch off ignition and disconnect the vehicle's battery! If according to factory rules disconnecting the battery has to be avoided, it is usually sufficient to put the vehicle in sleep-mode. In case the sleep-mode does not show success, disconnect the battery with a resistor lead.**

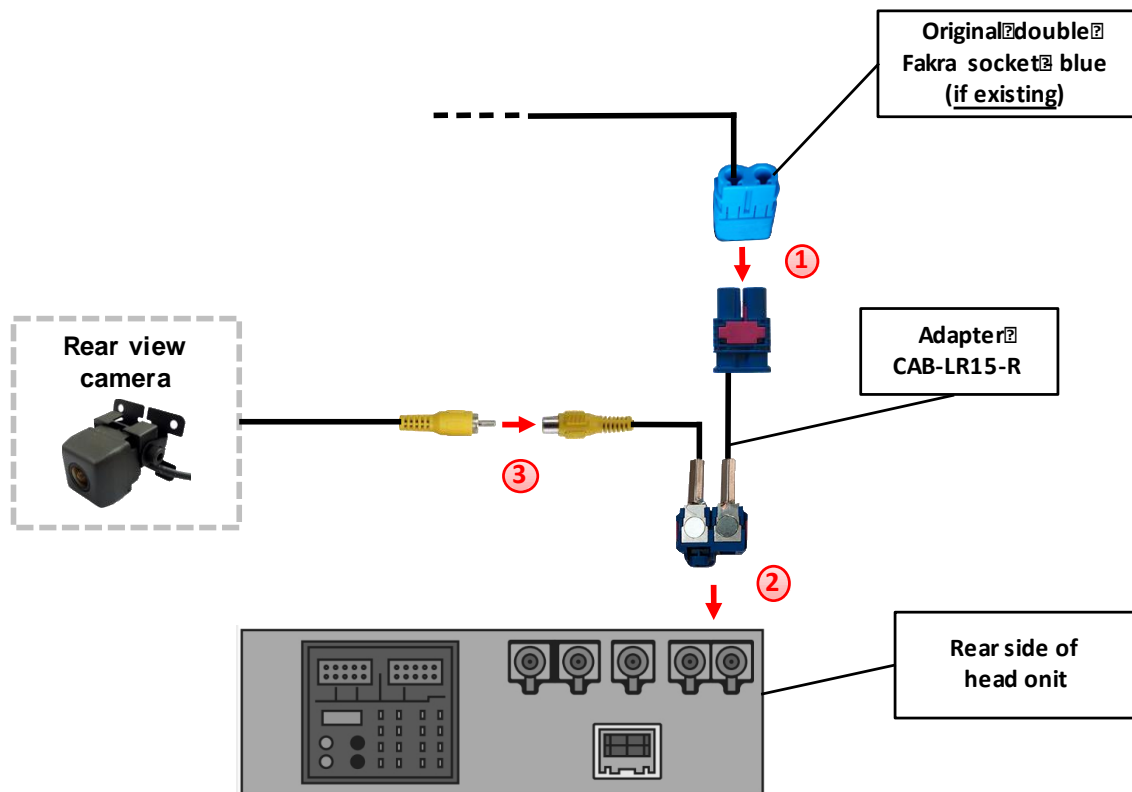
Place of installation is on rear of the head unit.

#### 3.1. Interconnecting CAN-Box, harness and factory head unit



- ① Connect female 8pin Molex connector of harness TV-LR05 to male 8pin Molex connector of CAN-box TV-500.
- ② Transfer Quadlock connector of vehicle harness from rear of the head unit into male Quadlock connector of harness TV-LR05.
- ③ Plug female Quadlock connector of harness TV-LR05 into male Quadlock socket on the rear of the head unit.

### 3.2. Connections to rear-view camera



- ① If existing, disconnect the original blue double Fakra socket from the Head Unit and connect it to the double Fakra male plug of adapter CAB-LR15-R.
- ② Connect the double Fakra socket of adapter CAB-LR15-R to the double blue Fakra-connector on the rear of the head unit.
- ③ Connect the video RCA of the rear-view camera to the female RCA connector of adapter CAB-LR15-R.

**Note:** Only compatible with NTSC-cameras.



## 4. Activation of the video-in-motion function

The video-in-motion can be activated and deactivated by Dip 1 or alternatively by the included loose green cable in connection with a switch (not included in delivery).

### Video-in-motion permanent

With dip1 to ON the video-in-motion function is activated permanently without disturbing the navigation performance.

### Video-in-motion selective

With dip1 to OFF the included green cable is used to activate the video-in-motion function.

Connect a switch to the green cable and connect the green cable to +12V ACC.

- +12V = TV-Free is activated
- 0V = TV-Free is not activated

**Note:** The loose white cable is not required and must be isolated.

## 5. Specifications

|                                   |                                  |
|-----------------------------------|----------------------------------|
| Operation voltage                 | 10.5 – 14.8V                     |
| Stand-by power drain              | <2mA                             |
| Operation power drain             | ~60mA                            |
| Power consumption                 | ~0,08W                           |
| Temperature range                 | -30°C to +80°C                   |
| Weight                            | 44g                              |
| Measurements (box only) W x H x D | 70 x 20 x 47 mm/ 76 x 27 x 54 mm |

**Legal disclaimer:** Mentioned company and trademarks, as well as product names/codes are registered trademarks ® of their corresponding legal owners.